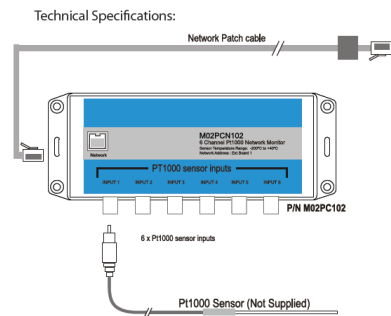


6 Channel Pt1000 Network Monitor & Door Switch

Compatible with DATAcentre

6 Channel Pt1000 Network Monitor Wired Solution (FTEM02PCN102-P)



The 6 Channel Pt1000 Network Monitor allows an additional 6 Pt1000 temperature sensors to be monitored via the DATAcentre 485 network connection. Each input can measure temperature in the range of -200°C to 40°C. Sensors are connected via one of the six phono connectors. The unit is supplied with a 1m patch cable to connect it to the DATAcentre. Pt1000 sensors are sold separately.

Technical Specifications	
Power Supply	Supplied by DATAcentre via network connection
Operating Temperature	0°C to 50°C
Accuracy figures	±0.5°C
Signal inputs	Temperature Pt1000 -200°C to 40°C
Enclosure rating	IP20
Weight	127g
Part Number	FTEM02PCN102

Door Switch (SW101492)



Cable type or terminal type flush mount switches. Cable type comes fitted with 300mm long cable. Proximity switches primarily designed for discrete protection of doors and windows. The switches are of moulded construction incorporating a N/O SPST magnetically operated reed switch. The permanent actuating magnet is also of moulded construction to facilitate easy fixing. All switches have a separate tamper loop or terminals for maximum security. Set includes magnet and proximity switch. To be used with a digital transmitter.

Technical Specifications	
Current	500mA
Operating Gap	15mm
Max Switch Voltage	50Vdc
Max DC Load	10W
Dimensions	50x14x13.6mm
Part Number	SW101492